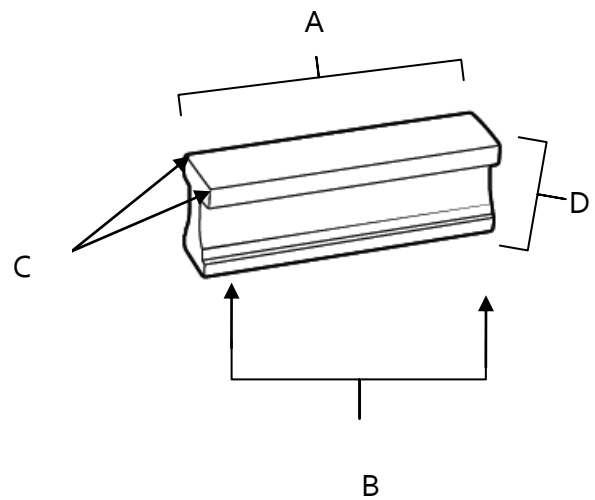


SPECIFICATIONS

**LINEAR
TAB PULLS**



FEATURES

- Modern styling
- Multiple finishes
- Concealed installation

WARRANTY

Limited lifetime

FINISHES

- Bronze (BRZ)
- Matte Black (MB)
- Polished Brass (PB)
- Polished Brass/Non-Lacquered (PB/NL)
- Polished Chrome (PC)
- Polished Nickel (PN)
- Satin Brass (SB)
- Satin Nickel (SN)

MATERIAL

Brass

| Item# | A | B | C | D |
|---------|--------|--------|------|------|
| A965-3 | 3 1/2" | 3" | 5/8" | 7/8" |
| A965-35 | 4" | 3 1/2" | 5/8" | 7/8" |
| A965-4 | 4 1/2" | 4" | 5/8" | 7/8" |
| A965-6 | 6 1/2" | 6" | 5/8" | 7/8" |

KEY:

- A - Overall Length
- B - Center to Center
- C - Width
- D - Projection

NOTE: Dimensions and specifications are subject to change without notice.

T 818.882.6028 F 818.700.1540 www.alnoinc.com